



TD-5001

Blackbody

Features

- Supports calibration of thermal device in high accuracy
- High accuracy and good stability
- Strong ability of anti-interference

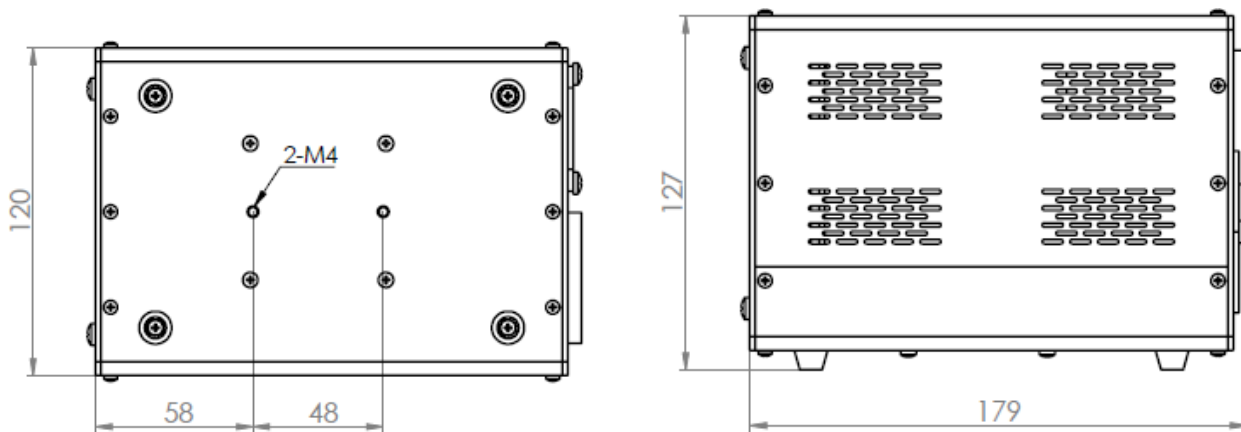
Specifications

Model	TD-5001
Temperature Range	+5.0°C~50°C adjustable
Radiation Area Size	70 x70mm
Temperature Resolution	0.1°C
Temperature Accuracy	±0.1°C(@40°C)
Temperature Stability	±(0.1~0.2) °C/30min
Effective Emissivity	0.97±0.02
Working Environment	0~40°C
Dimension	120x 127x179mm
Power Consumption	≤35W
Power	AC 110V~220V
Weight	1.13KG

Ordering Model

Available Model	TD-5001	Blackbody
-----------------	---------	-----------

Dimensions



Shenzhen TVT Digital Technology Co., LTD.

Address: 23rd Floor, Block B4, Building NO.9, Shenzhen Bay Eco-Technology Park, Nanshan District, Shenzhen, Guangdong Province, P.R. China

Tel: +86-755-36995888

Website: <http://en.tvt.net.cn>

Fax: +86-755-33104777

E-mail: overseas@tvt.net.cn