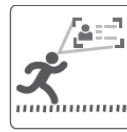


4-Inch 4MP 25X Smart Tracking



TD-8443IS (PE/25M/AR10)



Smart Tracking



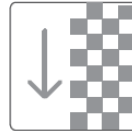
Starlight



True WDR



Auto Day/Night



3D DNR



PoE+



IP66



H.265



System

TD-8443IS(PE/25M/AR10) 4MP 25x Network IR speed dome camera is an entry level AI detection and tracking PTZ for wide range of intrusion and perimeter protection applications. Upon detecting illegal intrusion, the camera will trace it until the object leave out of restricted regions. The image sub-system is re-designed and fine-tuned for more reliable AI analysis and recognition results. This model could recognize max 30 objects per second, trace and zoom fit in pictures, recognize human faces up to 380m distance in most scenarios, or record human behaviors up to 1900m.

Key Spec:

- 1/2.5" progressive scan CMOS
- Up to 2560×1440 resolution
- Mini illumination:
 - Color: 0.01 lux @ (F1.65 AGC ON)
 - B/W: 0.002 lux@ (F1.65 AGC ON)
 - 0 Lux with IR
- 25x optical zoom, 16x digital zoom
- 120 dB WDR, 3D DNR, Smart IR
- Up to 100m IR distance
- Smart H.265/H.264 video compression
- 1.0 Tops Deep-learning Engine
- Smart tracking of human/vehicle
- Smart detection and perimeter protection
- IP66,-30°C~55°C, ADC12 + PC/GF
- PoE+ (802.3.at, class 3) and DC12V
- ONVIF, API and SDK

Application:

Wide range area intrusion, perimeter protection and alarm, such as parks, scenic spots, stations and venues, industrial park.

SPECIFICATION:

| Camera Module | |
|----------------------|---|
| Image sensor | 1/2.5" progressive scan CMOS |
| Mini. Illumination | Color: 0.01Lux @ (F1.65, AGC ON); B/W: 0.002Lux @(F1.65, AGC ON);0Lux with IR |
| Image setting | Flip, Mirror, Saturation, Brightness, Contrast, Sharpness, AGC, and AWB adjusted by client software/browser |
| Shutter Speed | 1/1 s – 1/10,000 s |
| White Balance | Auto/Manual/Indoor/Outdoor |
| Gain | Auto/Manual |
| Day & Night | IR Cut filter |
| Digital Zoom | 16x |
| Privacy Mask | 4 Programmable privacy masks |
| 3D DNR | Auto/Manual |
| BLC | Yes |
| HLC | Yes |
| WDR | 120 dB |
| Defog | Electronic |
| Regional Exposure | No |
| Picture overlay | Logo picture could be overlaid on video with 128x128pixels,24bits BMP format |
| Lens | |
| Focus length | f=4.8-120mm lens,25x optical |
| Zoom Speed | Approx. 3.6s (optical zoom, wide-tele) |
| Field of View | Horizontal:55° to 2.4°(wide-tele) Vertical: 33° to 1.4°(wide-tele) Diagonal: 61.5° to 2.8°(wide-tele) |
| Working distance | wide: 1.0m ~ INF; tele: 1.5m ~ INF |
| Aperture Range | F1.65 ~ F3.8 (wide-tele) |
| PTZ | |
| Pan Range | 360°endless |
| Pan speed | Configurable, from 0.1~80°/s; Preset speed: 80°/s |
| Tilt Range | From -5° to 90° |
| Tilt Speed | Configurable, from 0.1°~ 80°/s, Preset speed: 80°/s |
| Proportional Zoom | Yes |
| Preset | 300 |
| Cruise | 8 cruises, up to 16 presets for each cruises |
| Track | 4 tracks, record time over 3 minutes for each track |
| Power off memory | Support |
| Action mode | Preset/Cruise/Track/Auto Scan/Random Scan |
| 3D Positioning | Support |
| PTZ Position Display | Support |
| Schedule Task | Preset/Cruise/Track/Random Scan/Boundary Scanning /Dome reboot |
| IR | |
| IR Distance | 100m |
| Smart IR | Yes |

| Network | |
|------------------------|--|
| Max Resolution | 2560x1440 |
| Main stream | 2560x1440, 2048x1536, 1920x1080, 1280x960,1280x720 (25/30fps) |
| Sub stream | 25fps (704 × 576, 640 × 480, 352 × 288) 30fps (704 × 480, 640 × 480, 352 × 240) |
| Third Stream | 25fps (1920 × 1080, 1280 × 960, 1280 × 720, 704 × 576, 640 × 480, 352 × 288) 30fps (1920 × 1080, 1280 × 960, 1280 × 720, 704 × 480, 640 × 480, 352 × 240) |
| SVC | Yes |
| Video compression | Smart H.265/H.264/MJPEG |
| Audio compression | G.711 A/U |
| Audio Enhancement | No |
| Protocols | HTTP, HTTPS, IPv4/IPv6, 802.1x, QoS, FTP, SMTP, UPnP, SNMP,DNS, DDNS, NTP, RTSP, RTCP, RTP, TCP/IP, UDP, IGMP, ICMP,DHCP, PPPoE |
| Simultaneous live view | Up to 6 channels |
| User / Host | Up to 16 users, 3 levels: Administrator, Advanced User and Normal User |
| Security Measures | User authentication (ID and PW), Host authentication (MAC address); HTTPS encryption, IEEE802.1x port-based network access control; IP address filtering |
| Smart Features | |
| Basic event | Motion detection, exception (network disconnected, IP address conflict, SD full, SD error) , |
| Face recognize | Default off, max 30 human faces per second. |
| Face compare | Default off |
| People Density | Not support by this version |
| Smart Detection | Intrusion detection, Line crossing detection, Region entrance detection, Region exiting detection, Object removal detection(object left/missing), Scene change detection, Video blur detection, Video color cast detection Support alarm triggering by human or vehicle, filtering flag/animal. |
| Smart Tracking | Manual Tracking, Auto Tracking (human or vehicle by software setting) |
| System Integration | |
| Alarm Interface | None |
| Audio Interface | None |
| Alarm Linkage | Alarm actions, such as Preset, Cruise, Track, Memory Card Video Record, Trigger Recording, Notify Surveillance Center, Upload to FTP/Memory Card, Send Email, etc. |
| Network Interface | 1 RJ45 10M/100M Adaptive Ethernet (Support PoE 802.3.at) |
| CVBS | None |
| RS 485 | None |
| Storage | On-Body memory card slot, support microSD/SDHC/SDXC, up to 256G |
| API | ONVIF, support TVT SDK and third-party management platform |
| Client | TVT N9000 1.4.5, TVT NVMS 2.0; and the third-party client |
| Web Browser | IE8-11, Chrome41.0-44, Firefox30.0-51, Safari8.0-11 |
| General | |
| Power | DC12V or PoE+ (802.3.at, class 3), (Max 22W, include IR on, Heater on, Fan working) |
| Working condition | -30°C ~ 55°C (-22°F ~ 131°F),90%RH less (non-condensing),Cold start at - 20°C |
| Storage condition | -40°C ~ 65°C ; ≤ 95% RH |
| Protection | IP66, 4000V Lightning Protection, Surge Protection and Voltage Transient Protection |
| Material | Aluminum Alloy;PC+GF10% |
| Dimensions | Φ 173mm × 247mm (6.8" Φ × 9.7") |
| Weight | Approx. 2.1 Kg(13.22 lb.) |

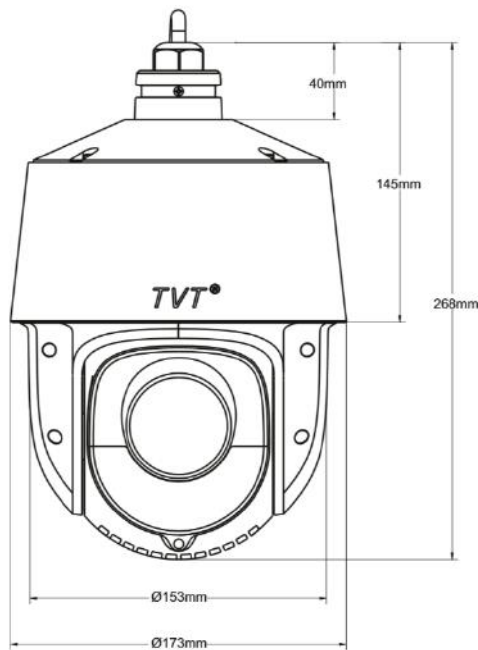
| | |
|---------------|--|
| Certification | IP66,ROHS,CE,FC |
| Active | Hi3516DV300+AR0522 Chipsets, active till 2022.Dec. |

DORI table

It is calculated based on the camera sensor specification and the criteria given by EN 62676-4: 2015.

| DORI | Detect (human behaviours) | Observe (as Court level evidence) | Recognize (face ID, CPL) | Identify (human and his photo) |
|----------|------------------------------|--------------------------------------|-----------------------------|-----------------------------------|
| Define | 25Pixels /meter | 63Pixels/meter | 125Pixels/meter | 250pixels/meter |
| Distance | 1900m | 760m | 380m | 190m |

Dimensions:



Ordering information

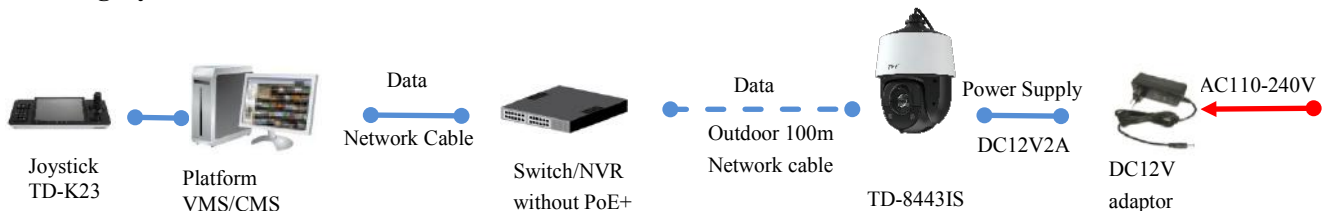
| | | |
|--------|------------------------|---|
| Camera | TD-8443IS(PE/25M/AR10) | 4-inch 4MP 25X Network 100m IR Speed Dome Camera, Smart Tracking, DC12V/PoE+, IP66,-30°C~55°C,Not include Power adaptor and Bracket |
|--------|------------------------|---|

Mounting Brackets Options:

| TD-YZJ0808 Wall mount | TD-YZJ0808+YZJ0501 Pole Mount | TD-YZJ0808+YZJ0601 Corner Mount | TD-YZJ0807 Pendant mount | TD-YZJ0701E In-ceiling mount |
|--------------------------|----------------------------------|------------------------------------|-----------------------------|---------------------------------|
| | | | | |

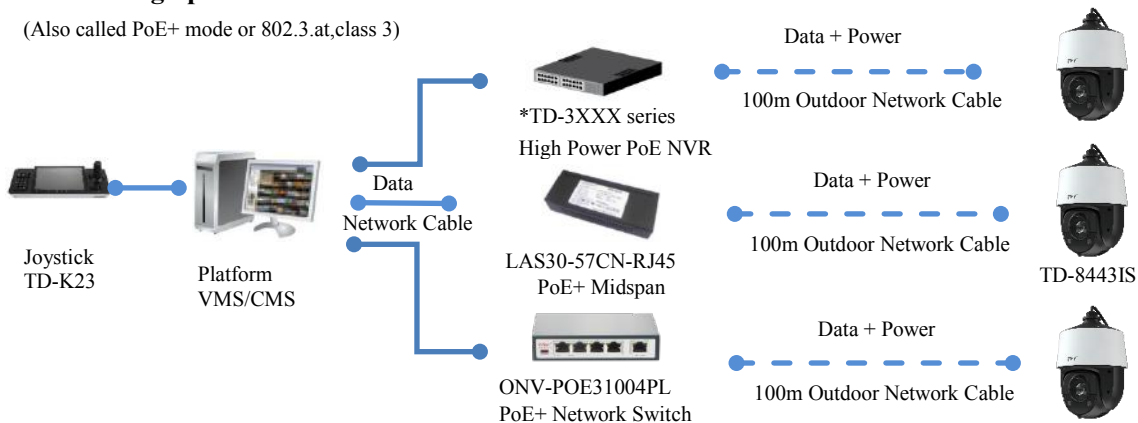
Connection Options:

● Legacy connection mode



● 30W High power PoE Mode

(Also called PoE+ mode or 802.3.at,class 3)



* PoE+ Class NVR models:

TD-3308H1-8P-A2, TD-3316H2-16P-A2, TD-3316H4-16P-A2, TD-3332H4-16P-A2, TD-3304H1-4P-B1H, TD-3308H1-8P-B1H, TD-3316H2-16P-B1H

Please contact your local sales for more information about production details.

* All pictures and texts are for reference only. Actual product may vary due to product enhancement.

Shenzhen TVT Digital TECHNOLOGY CO.,LTD

Address: 23rd Floor, Block B4, Building No.9,Shenzhen Bay, Eco-Technology Park, Nanshan District, Shenzhen, Guangdong Province, P.R.China

Tel: +86-755-36995888

Web site: <http://en.tvt.net.cn>

Fax: +86-755-33104777

E-mail: overseas@tvt.net.cn