

All-in-One Server



TD-A624E-E

Based on the conception of “All-in-One”, TD-A624E-E is a server specially designed for security surveillance application. Its software is installed before delivery, combined the video stream transfer and view and the record storage and playback. Due to its low cost, simple deployment, flexible expansion, powerful performance, user-friendly interface design, good compatibility and high reliability, abundant data storage and strong management capability, it can meet the requirements of various large and medium sized video surveillance systems. It can be widely used in security cities and intelligent cities, including banking, transportation, public security, enterprise and public institution and so on.

Shenzhen TVT Digital Technology Co., LTD.

Address: 23rd Floor, Block B4, Building NO.9, Shenzhen Bay Eco-Technology Park, Nanshan District, Shenzhen, Guangdong Province, P.R. China

Tel: +86-755-36995888

Website: <http://en.tvt.net.cn>

Fax: +86-755-33104777

E-mail: overseas@tvt.net.cn

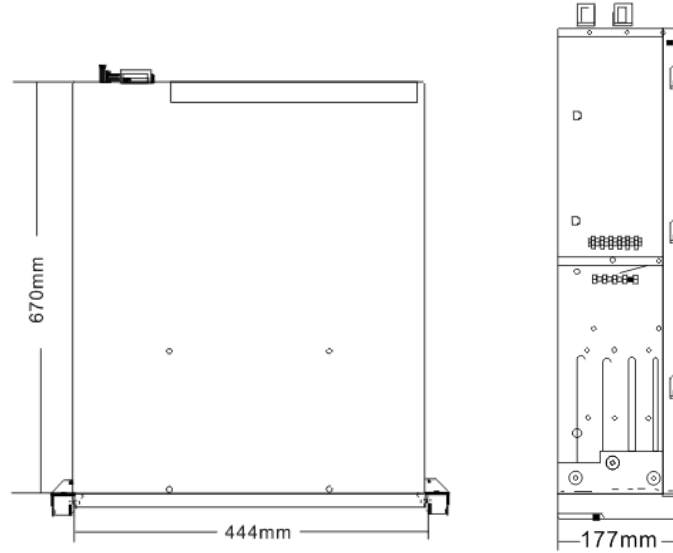
Features

- High-performance X86 hardware platform, stable and reliable
- Preset software before delivery; All-in-One simple deployment
- Supports the device access of TVT and other famous manufacturers in the industry
- Supports ONVIF protocol
- Supports device auto-report
- Supports adding devices through IP address, IP address segment, URL, domain name and serial number
- Automatically search devices and quickly adding devices
- Supports standard, widescreen and customized screen display modes
- Supports instant playback and alarm preview
- Supports corridor mode
- Supports fisheye mode
- Supports PTZ direction control and focus control; supports setting and calling preset and cruise
- Supports voice monitoring, two-way talk and broadcast
- Supports record search, playback and downloading from device and control center
- Supports record search and playback by time, channel, event and tag
- Supports time-slice playback
- Supports record clip and backup; Support backup by time and event
- Supports video search, playback and downloading from SD card of the IPC
- Supports multi-level images and online E-map
- Supports TV wall management, including splicing, PIP, roaming and triggering video on TV wall
- Supports auto-switch plan and camera group on TV wall
- Supports various alarm types and alarm linkages
- Supports multi-level, multi-area and multi-user permission management
- Supports log management, including notices and alarms device's online and offline status
- Supports Android/iOS mobile APP
- Integrated Intel Xeon E3-1220V5 high-performance 4 core processor, up to 8GT/s data transfer rate, 64 bit expansion, I/O acceleration, Turbo, Hyper-Threading Technology
- 4 memory card slots, up to 64GB DDR4-1866/2133MHz ECC
- 2 gigabit Ethernet ports; support I/OA technology; support link aggregation and binding redundancy; support iKVM;IPMI×1
- 12Gbps SAS Expander, 12Gbps RAID card (RAID 0, 1, 5, 6 supported)
- 24 *3.5 inch hot-pluggable HDD slots and 2 built-in 2.5 inch HDD slots, up to 384TB
- 3 control expansion slots: 1*PCI-E3.0x16(x8); 1*PCI-E3.0x8; 1*PCE-E3.0x8(x4)
- 800W 1+1 redundant power supply
- Monitoring various status of the storage server, such as connection status, network status, hardware status and so on; judging the fault level according to the buzzer sound; timely recording event information and operation logs of the device; providing full solution of real-time monitor and alarm of the device
- Independent IPMI interface; supports iKVM, remote startup and shutdown and software installation services
- Provide TPM interface which supports TPM standard security chip, so that the device can be protected effectively in case of the illegal user access
- Embedded device access and transfer modules without extra transfer server access
- Its transfer server doesn't rely on platform, so the recording will not be interrupted even if the network of the platform server is disconnected

Specifications

Model	TD-A624E-E
CPU	Intel Core Processor I3
OS	Linux
Memory	8GB DDR4 ECC, up to 64GB DDR4ECC memory
HDD	3.5 inch SATA x 24(hot-pluggable); built-in 2.5 inch SATA x 2
HDD Installation	Independent HDD bracket
Capacity	Up to 384TB (max.16T per HDD)
RAID	Hardware RAID; support RAID 0, 1, 5, 6
Expansion	1*PCI-E3.0x16(x8);1*PCI-E3.0x8;1*PCE-E3.0x8(x4)
Network Card	Integrated I210-AT dual gigabit network cards, load balancing and if one is offline, the other will replace
IPMI	ASPEED AST2400 BMC, independent IPMI interface; support iKVM
Monitor Control	Integrated display controller
Protocol	Support TCP / UDP / RTSP protocol
Search	Built-in index, accurate to second-level
Performance	Up to 700Mbps incoming, 700Mbps recording and 96Mbps playback Up to 700Mbps incoming, 700Mbps recording and 96Mbps live view
Way of Management	WEB management, seamless access to NVMS
Capability of Management	RAID management, record management, system log as well as alarm processing
Max. Number of Channel Access	2048 CH(extensible to 10000CH via the transfer server)
Max. Number of Device Access	500 devices (extensible to 10000CH after it is authorized)
Max. Number of Channel Access of Single Transfer Service	2048CH
Max. Number of Device Access of Single Transfer Service	300 DVRs/NVRs or 500IPCs
Max. Decoding Output Number	128CH
Max. Number of Transfer Server Access	32
Max. Number of Storage Server Access	32
Max. Number of Channel Access of Third-party protocol	16(extensible to 10000CH after it is authorized)
Max. Number of Device Access of Third-party protocol	4(extensible to 10000CH after it is authorized)
Max. Channel Number of Simultaneous Preview	100 (for one client/user)
Max. Channel Number of Simultaneous Playback	16 (for one client/user)
Max. Number of Views	Up to 64 view plans can be created
Max. User Access	Max. 64 users (extensible to 1024 users access after it is authorized)
Max. Online Users	64 users preview simultaneously
Security	Supply TPM interface; TPM module installation supported
Interface	1× VGA, 6× USB(4 in the real panel and 2 in the front panel), 2× RJ 45, 1× IPMI, 1× RS 232
Power Supply	800W 1+1 redundant power supply, 100~240V-10~5A /50~60Hz
Temperature	Working: 10°C to 35°C; standby: -40°C~+55°C(ambient)
Relative Humidity	Working: < 90% RH(35°C)
Noise	Working: < 50DbA
ESD	Each item conforms to Intel ambient temperature test standard 15KV

Dimensions



Available Accessories

3U/4U common rails